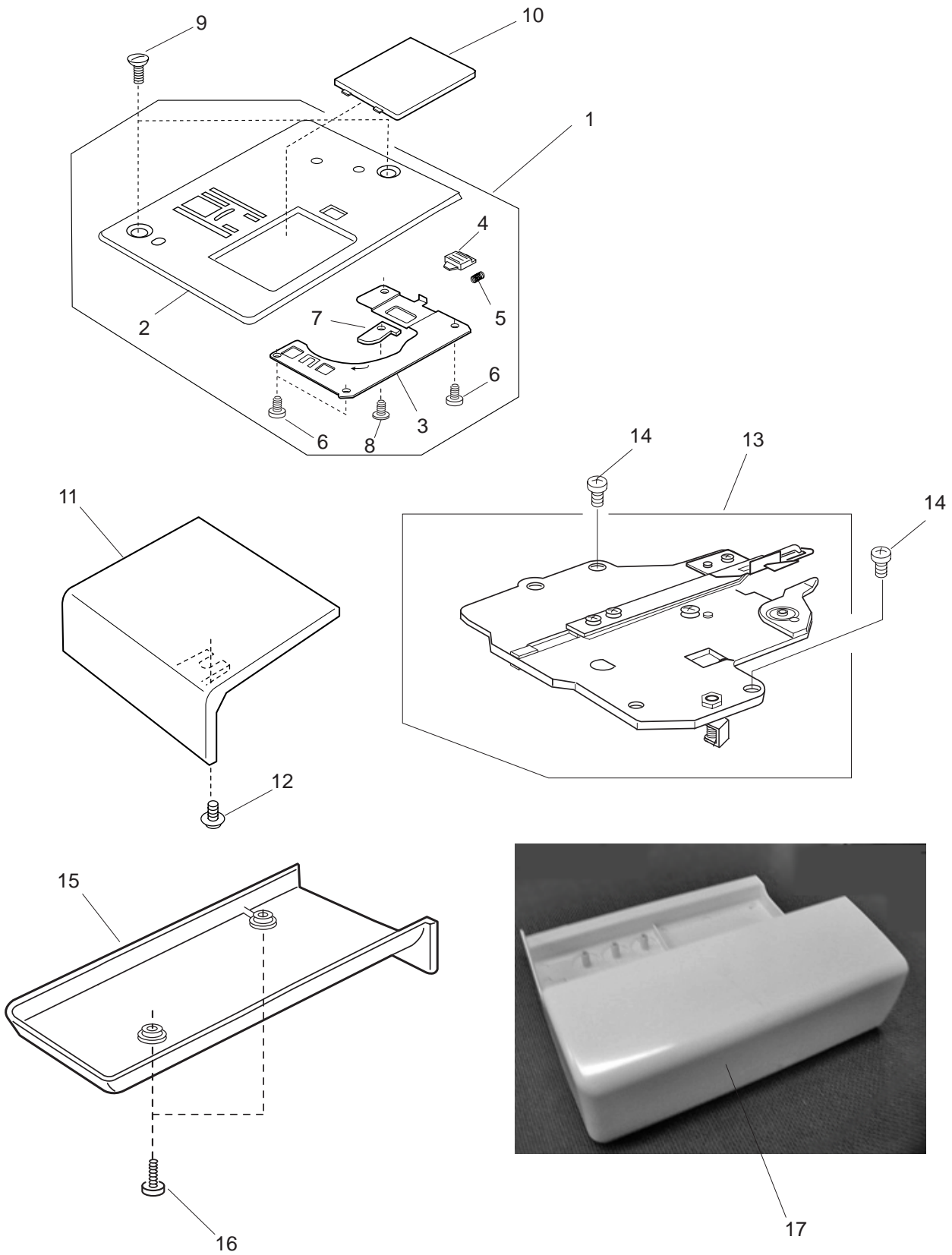


# ***PARTS LIST***

***Memory Craft 11000 (Special Edition)***

**JANOME**

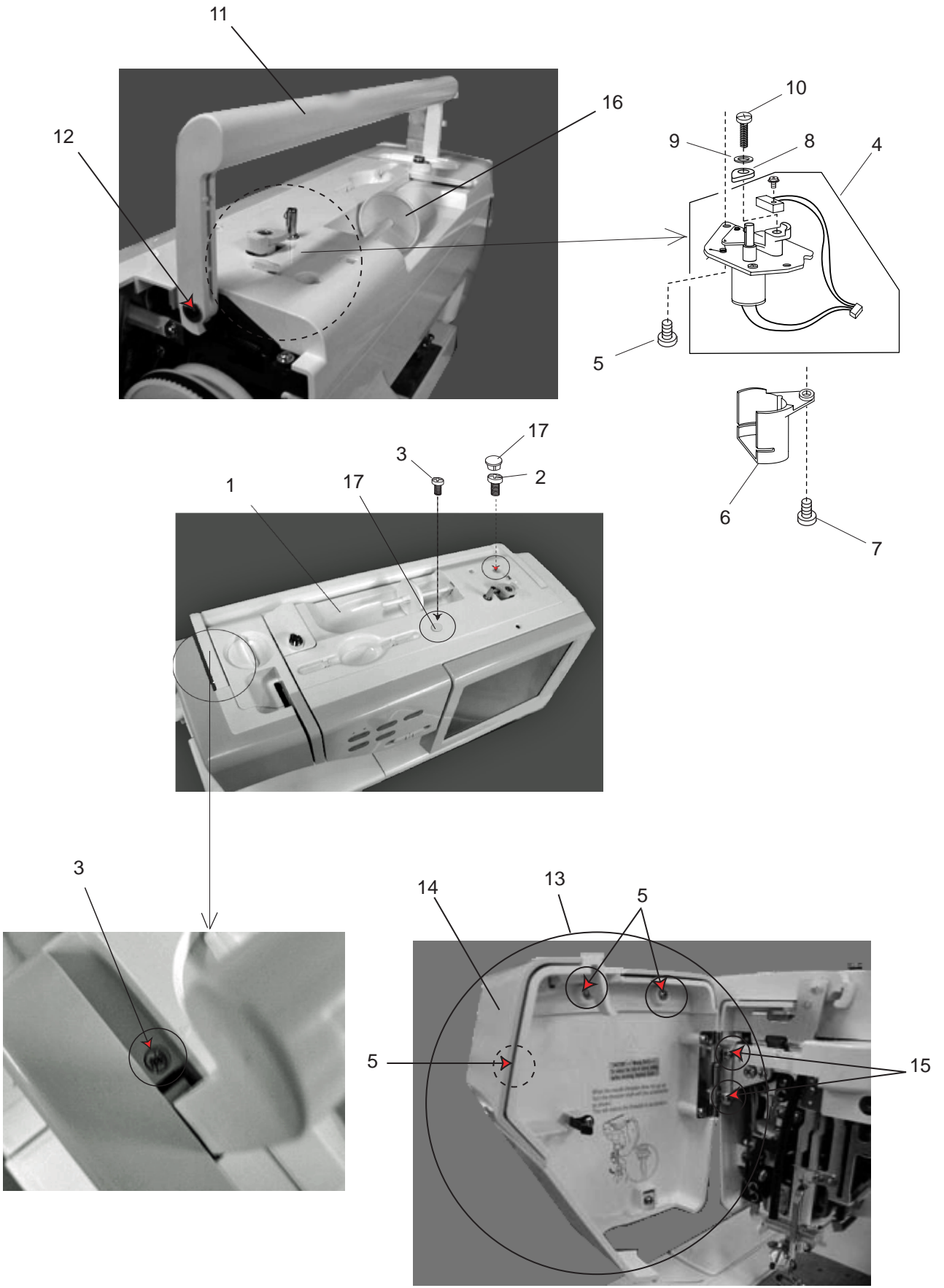
# PARTS LIST



## PARTS LIST

NO.	PART#	DESCRIPTION
1	860544104	Needle plate (unit)
2	860023009	Needle plate
3	846030005	Hook cover plate supporter
4	825016000	Hook cover plate supporter block
5	825017001	Spring
6	820374004	Setscrew 2x2.3
7	846222006	Bobbin holder stopper (t = 1.6mm)
	846222109	Bobbin holder stopper (t = 1.8mm)
	846222202	Bobbin holder stopper (t = 2.0mm)
8	000097613	Setscrew 2x4
9	820390109	Setscrew
10	846271103	Hook cover plate
11	860049001	Thread cutter cover
12	000115205	Setscrew TP 4x6
13	860625100	Thread cutter (unit)
14	000081005	Setscrew 4x8
15	860091008	Bed cover
16	000103509	Setscrew 4x10
17	860542009	Extension table (unit)

# PARTS LIST

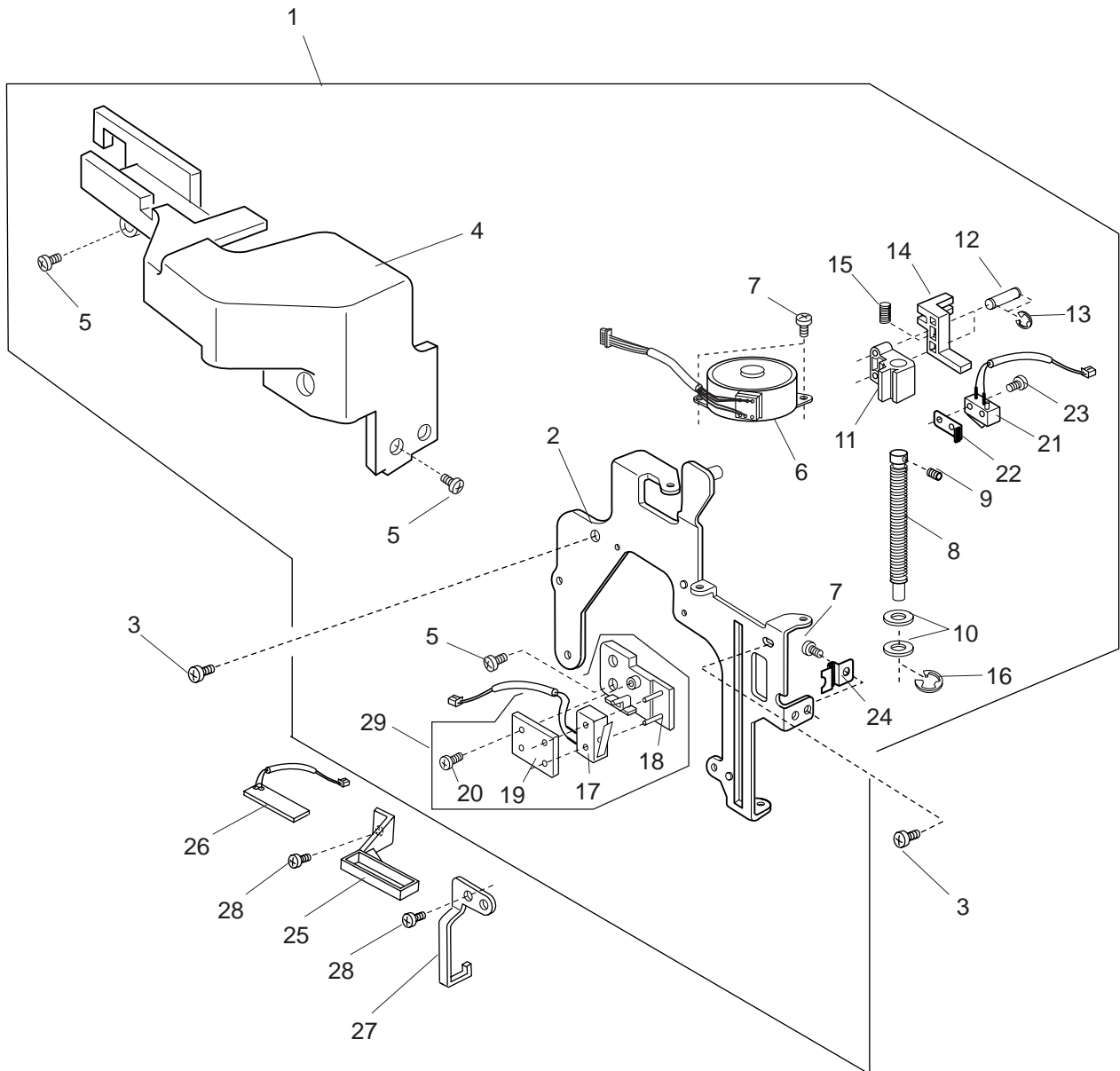




## PARTS LIST

NO.	PART#	DESCRIPTION
1	860637002	Top cover (unit)
2	000103200	Setscrew 4x30
3	000066705	Setscrew 3x6
4	846606008	Bobbin winder (unit)
5	000120203	Setscrew 3x8
6	846179007	Bobbin winder motor cover
7	000119704	Setscrew 3x14
8	846177005	Bobbin winder stopper
9	000071013	Washer
10	000104119	Setscrew 4x20
11	860090007	Carrying handle
12	000001609	Snap ring E5
13	860636023	Face plate (unit) (U.S.A)
	860636126	Face plate (unit) (Australia, UK, New Zealand, Latin America)
	860636229	Face plate (unit) (Canada)
	860636322	Face plate (unit) (Continental Europe)
14	860087115	Face plate Panel
15	000077503	Setscrew 4x6
16	822020503	Spool holder (large)
17	653006101	Cap

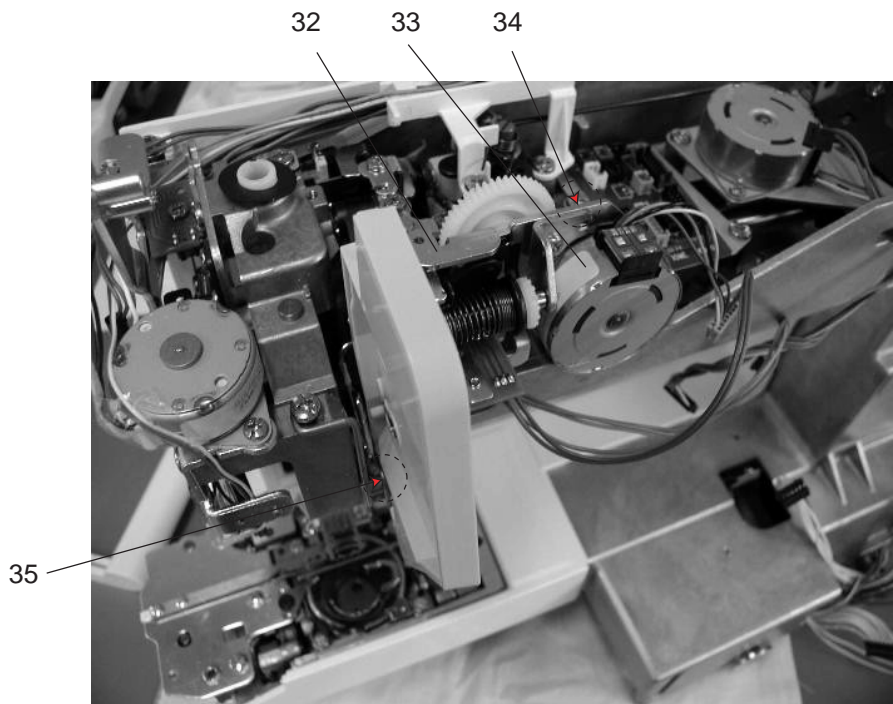
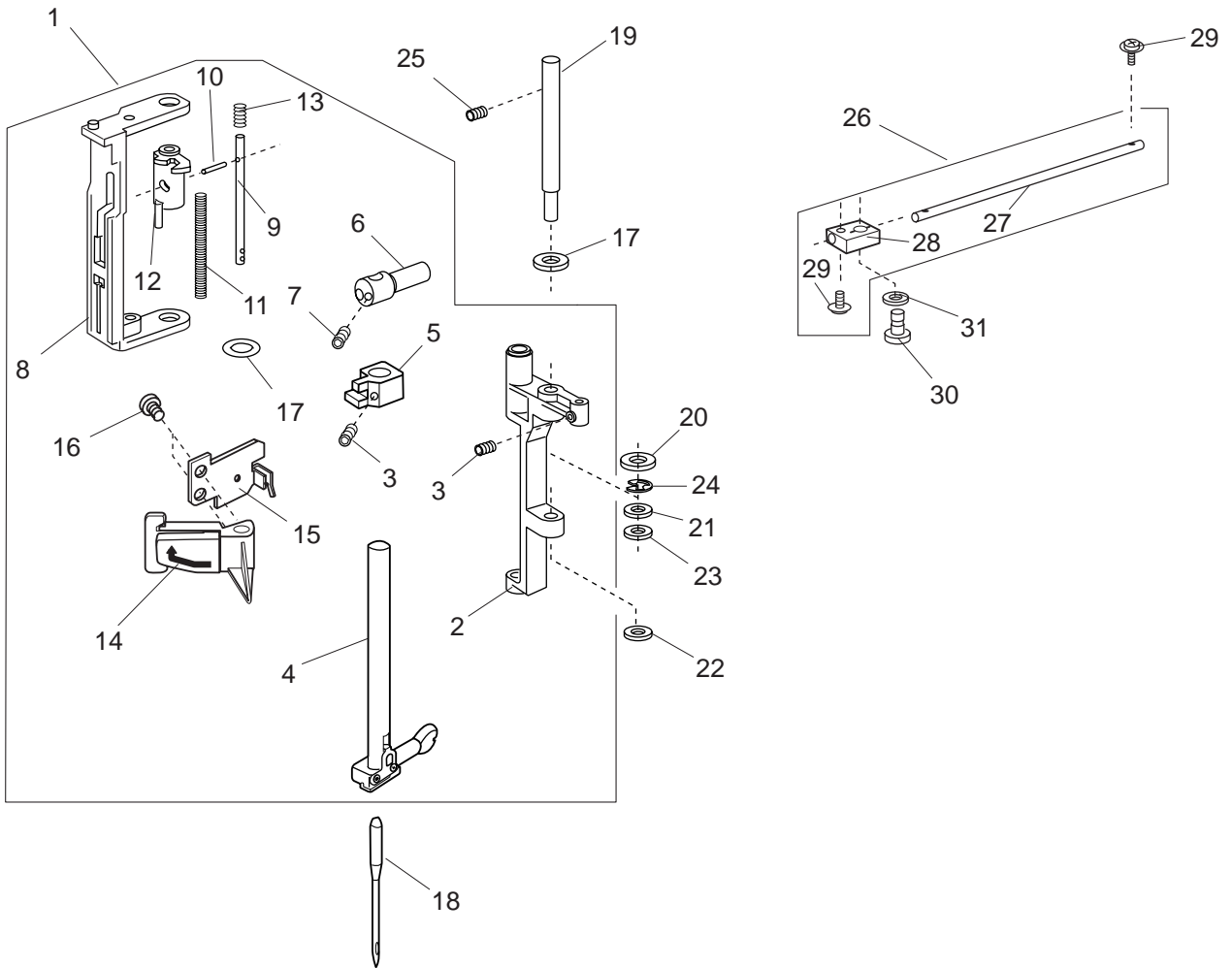
# PARTS LIST



## PARTS LIST

NO.	PART#	DESCRIPTION
1	860612001	Needle threader motor (unit)
2	860018001	Front set plate
3	000081005	Setscrew 4x8
4	850019012	Motorcover
5	000103819	Setscrew 3x5
6	860525006	Stepping motor(unit)
7	000101105	Setscrew 3x4
8	850015007	Threader feed screw
9	000110509	Hexagonal socket screw 3x3
10	000036603	Thrust washer FT50
11	850016019	Threader carriage1
12	850098004	Threader carriage pin
13	000002301	Snap ring E2
14	850017009	Threader carriage 2
15	850018000	Threader carriage spring
16	000002507	Snap ring E4
17	850507207	Micro switch (unit)
18	850170001	Switch set plate
19	850171002	Switch cover
20	000162805	Setscrew 2x6 (B)
21	850538104	Micro switch (unit)
22	850652002	Cord guide 1 (unit)
23	000134004	Setscrew 2x10 (B)
24	850653003	Cord guide 2 (unit)
25	860184009	Lamp set plate
26	860518006	Printed circuit board L3 (unit)
27	860185000	Lamp supporter
28	000103808	Setscrew 3x5
29	860662006	Micro switch (unit)

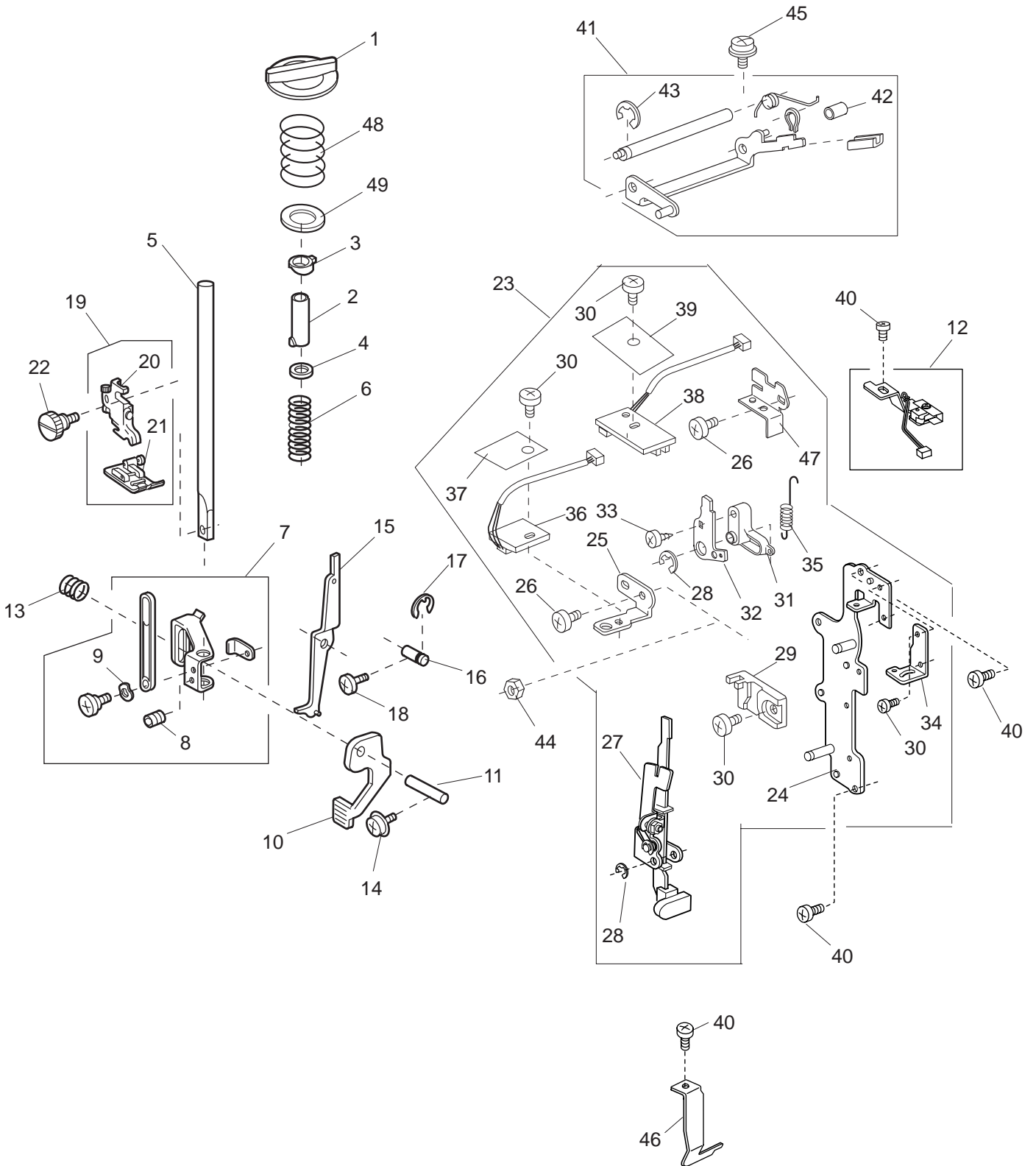
# PARTS LIST



## PARTS LIST

NO.	PART#	DESCRIPTION
1	850605000	Needle bar supporter (unit)
2	850020005	Needle bar supporter
3	000111902	Hexagonal socket screw 3x4
4	830609208	Needle bar (unit)
5	850021006	Threader positioning setting base
6	751047008	Needle bar connecting stud
7	000111201	Hexagonal socket screw 4x4
8	850022007	Threader flame
9	850023019	Threader shaft
10	850173004	Pin
11	850024009	Threader shaft spring
12	850025000	Threader guide
13	850026001	Threader guide spring
14	850631005	Threader holder (unit)
15	850508013	Threader plate (unit)
16	000102807	Setscrew 2x4
17	000174110	O Ring
18	102408089	Needle HAx3N-14
19	823018006	Needle bar supporter shaft
20	822063003	Felt (2)
21	000036108	Thrust washer FT70
22	000036603	Thrust washer FT50
23	000116000	Washer 7
24	000001609	Snap ring E5
25	000111108	Hexagonal socket screw 4x6
26	860610009	Zigzag width rod (unit)
27	860024000	Zigzag width rod
28	823065008	Needle bar supporter connecting stud
29	000115308	Setscrew TP 2x8
30	823066009	Connecting rod shaft
31	000116103	Washer4
32	860613105	Thread tension (unit)
33	860523303	Stepping motor (unit)
34	000081025	Setscrew 4x8
35	000101703	Setscrew 4x12

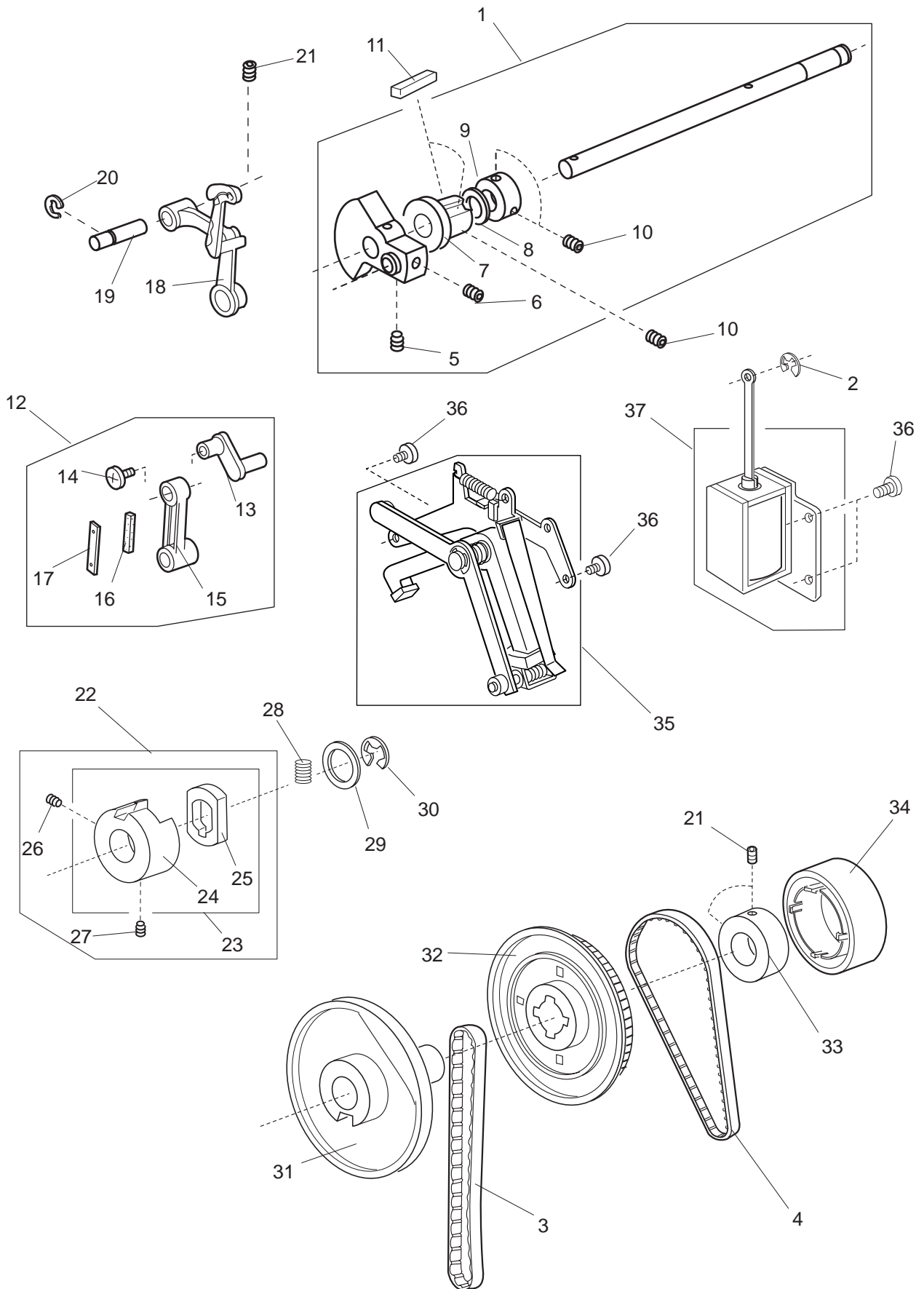
# PARTS LIST



## PARTS LIST

NO.	PART#	DESCRIPTION
1	860014007	Presser foot pressure adjusting dial
2	830027000	Presser bar bushing
3	830028001	Pressure adjusting cam
4	102061008	Washer
5	830029002	Presser bar
6	830030006	Presser bar spring
7	830586035	Presser bar supporter (unit)
8	000111500	Hexagonal socket screw 4x8
9	000116608	Washer 5
10	830035012	Presser foot lifter
11	822072005	Presser foot lifter pin
12	860657008	Presser foot lifter sensor (unit)
13	102222009	Spring
14	000115629	Setscrew TP 4x8
15	830037025	Tension release lever
16	830338007	Tension release lever pin
17	000002507	Snap ring E4
18	000081027	Setscrew 4x8
19	832501009	Presser foot (unit)
20	830504017	Presser foot holder (unit)
21	832523007	Zigzag foot (unit)
22	825252000	Thumbscrew
23	860611000	Front bracket (unit)
24	860095002	Front bracket
25	846044002	Sensor set plate
26	000101105	Setscrew 3x4
27	850630107	Buttonhole lever (unit)
28	000002105	Snap ring E3
29	830057010	Buttonhole lever guide
30	000103808	Setscrew 3x5
31	832206001	Presser foot sensor link
32	860211006	P foot sensor shielding plate
33	000161103	Setscrew 3x6 (B)
34	850034002	Threader guide
35	860212007	P foot shielding plate spring
36	852502600	Printed circuit board G1 (unit)
37	853028002	Insulation paper
38	860514002	Printed circuit board G1 (unit)
39	860097004	Insulation paper
40	000081005	Setscrew 4x8
41	832566024	Presser foot actuator arm(unit)
42	000014605	Grip ring6
43	000001609	Snap ring E5
44	000061205	Nut 4-3-7
45	000115629	Setscrew TP 4x8
46	860271004	Arm thread guide
47	860096003	P foot sensor set plate
48	834131000	Pressure adjusting dial spring
49	834132001	Washer

# PARTS LIST

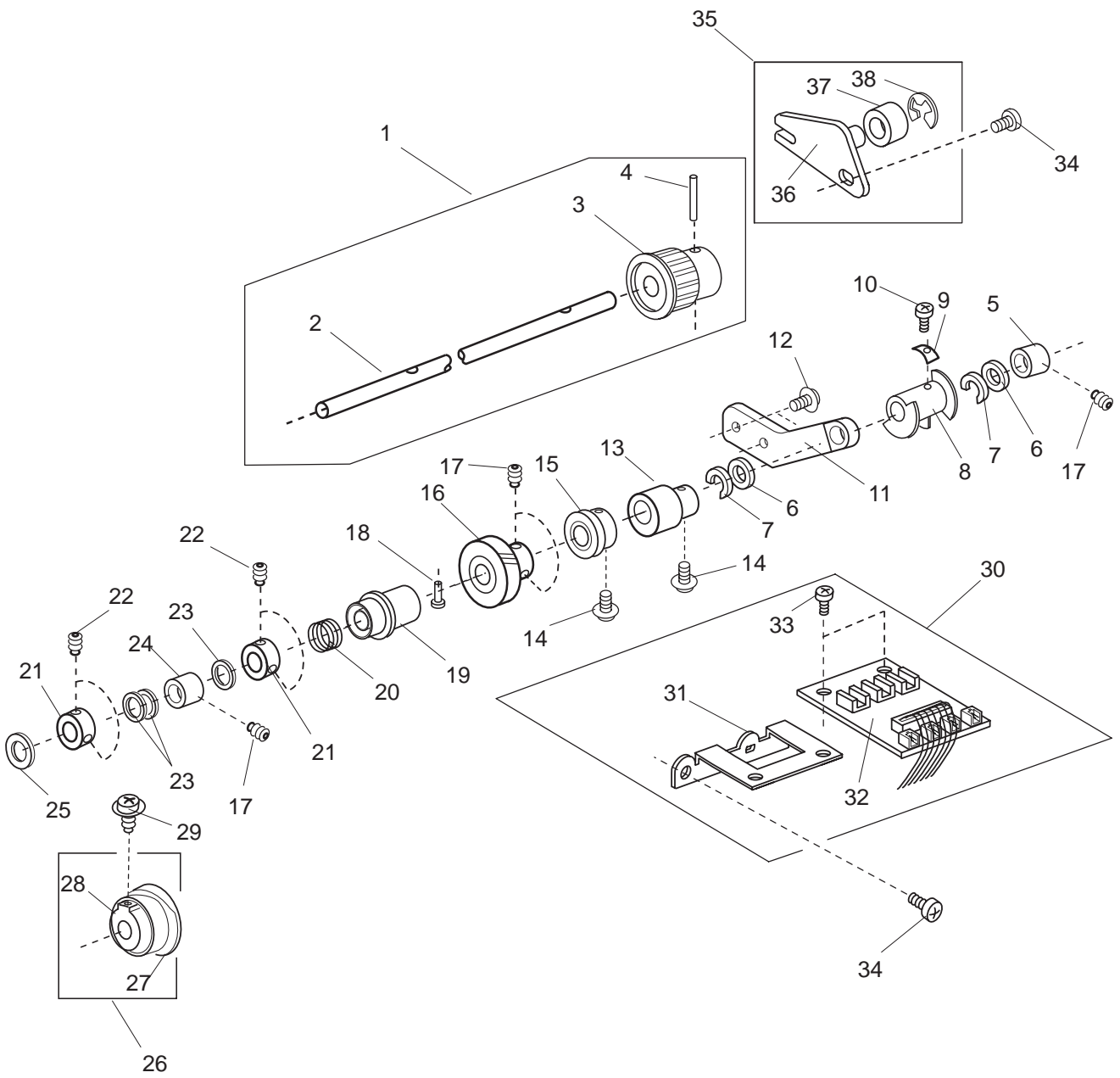




## PARTS LIST

NO.	PART#	DESCRIPTION
1	860540007	Upper shaft (unit)
2	000002105	Snap ring E3
3	650071005	Timing belt
4	803079003	Timing belt
5	000110901	Hexagonal socket screw 5x4
6	000111706	Hexagonal socket screw 5x8
7	670079108	Upper shaft front bushing
8	000035901	Washer
9	658019009	Ring
10	000111304	Hexagonal socket screw 5x5
11	731312005	Felt
12	850662005	Needle bar crank (unit)
13	652143005	Needle bar crank pin
14	647139002	Needle bar crank pin cover
15	650039001	Needle bar crank rod
16	650040005	Felt
17	650041006	Spring
18	820511201	Thread take-up lever (unit)
19	650062003	Thread take-up lever pin
20	000001702	Snap ring E6
21	000111201	Hexagonal socket screw 4x4
22	846650007	Clutch base (unit)
23	846520007	Clutch base (unit)
24	846077004	Clutch base
25	846078005	Connecting block
26	000177607	Hexagonal socket screw 5x8
27	000111706	Hexagonal socket screw 5X8
28	846079006	Clutch spring
29	846191005	Washer
30	000030009	Snap ring E10
31	846189000	Clutch cam
32	846080000	Belt wheel
33	846082002	Ring
34	846081104	Handwheel
35	860606002	Clutch base plate (unit)
36	000081005	Setscrew 4x8
37	860607003	Solenoid set plate (unit)

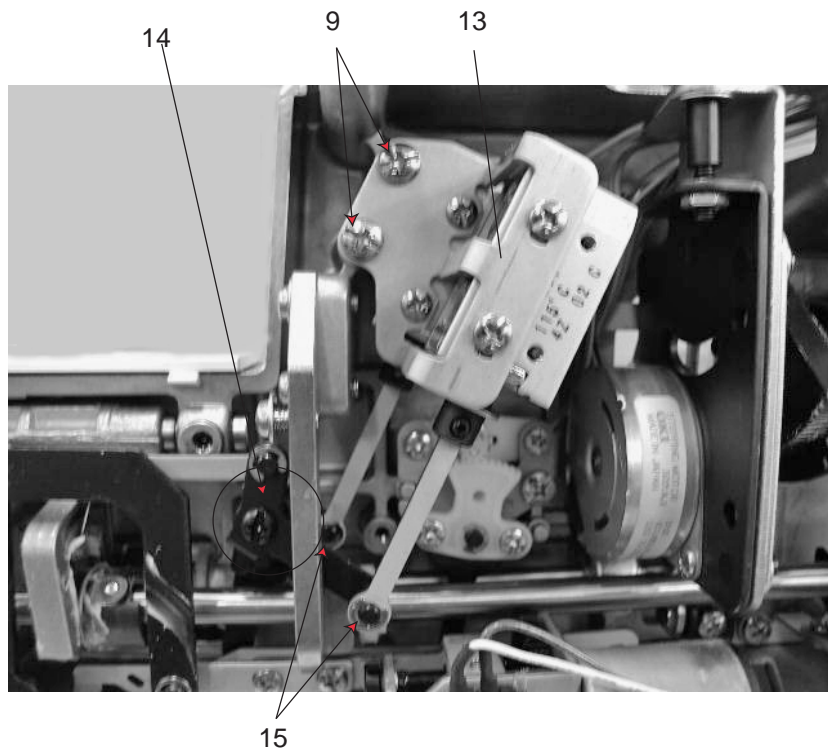
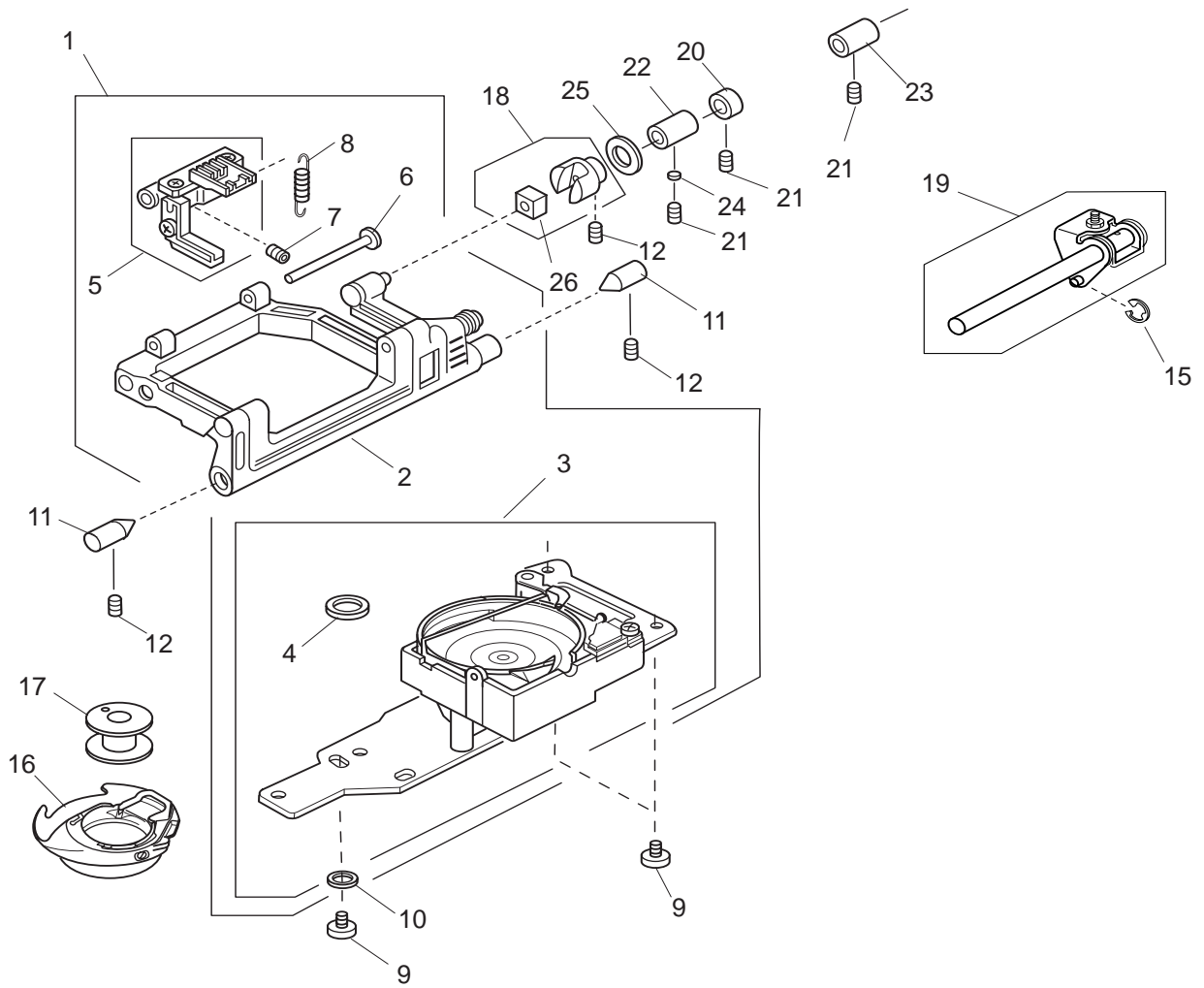
# PARTS LIST



## PARTS LIST

NO.	PART#	DESCRIPTION
1	860614003	Lower shaft (unit)
2	860029005	Lower shaft
3	650073007	Lower shaft gear
4	000004200	Knock pin 3x18
5	650079003	Lower shaft bushing (rear)
6	822070003	Felt (1)
7	822112008	Felt holder (1)
8	860098005	Lower shaft shielding plate
9	846192006	Washer
10	000080406	Setscrew 3x10
11	860030009	Lower shaft supporter
12	000114802	Setscrew TP 4x12
13	846205106	Feed cam
14	000149600	Setscrew 3x14
15	860031000	Lever cam
16	650076000	Lower shaft gear
17	000111304	Hexagonal socket screw 5x5
18	820161006	Feed lifting pin
19	846103000	Feed lifting cam
20	825093001	Feed lifting cam spring
21	820166001	Lower shaft ring
22	000111201	Hexagonal socket screw 4x4
23	000038502	Washer
24	650078002	Lower shaft bushing (front)
25	735143005	Felt
26	846626004	Cam (unit)
27	846105002	Cam (1)
28	846198002	Cam (2)
29	000114802	Setscrew TP 4x12
30	860615004	Lower shaft sensor (unit)
31	860032001	Sensor set plate
32	860508003	Printed circuit board P (unit)
33	000101105	Setscrew 3x4
34	000081005	Setscrew 4x8
35	860608004	Idler base (unit)
36	860021007	Idler base
37	625217100	Idler
38	000002806	Snap ring E6

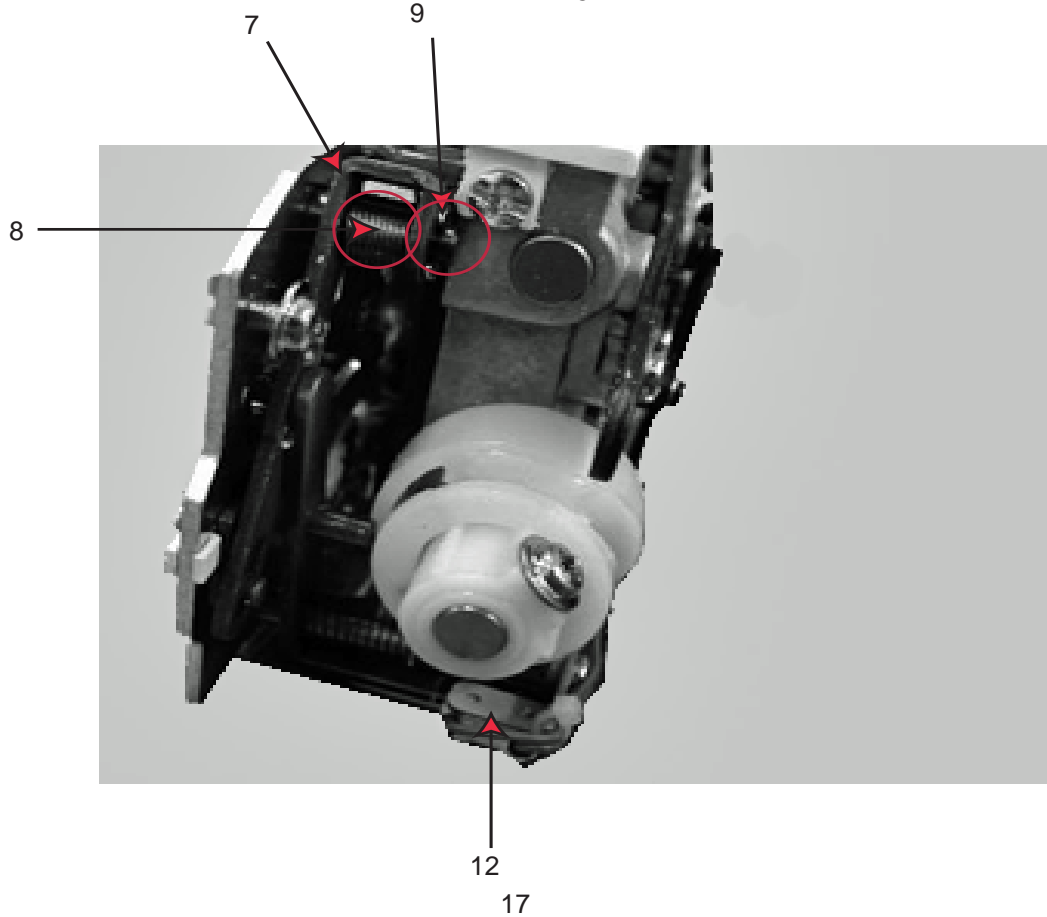
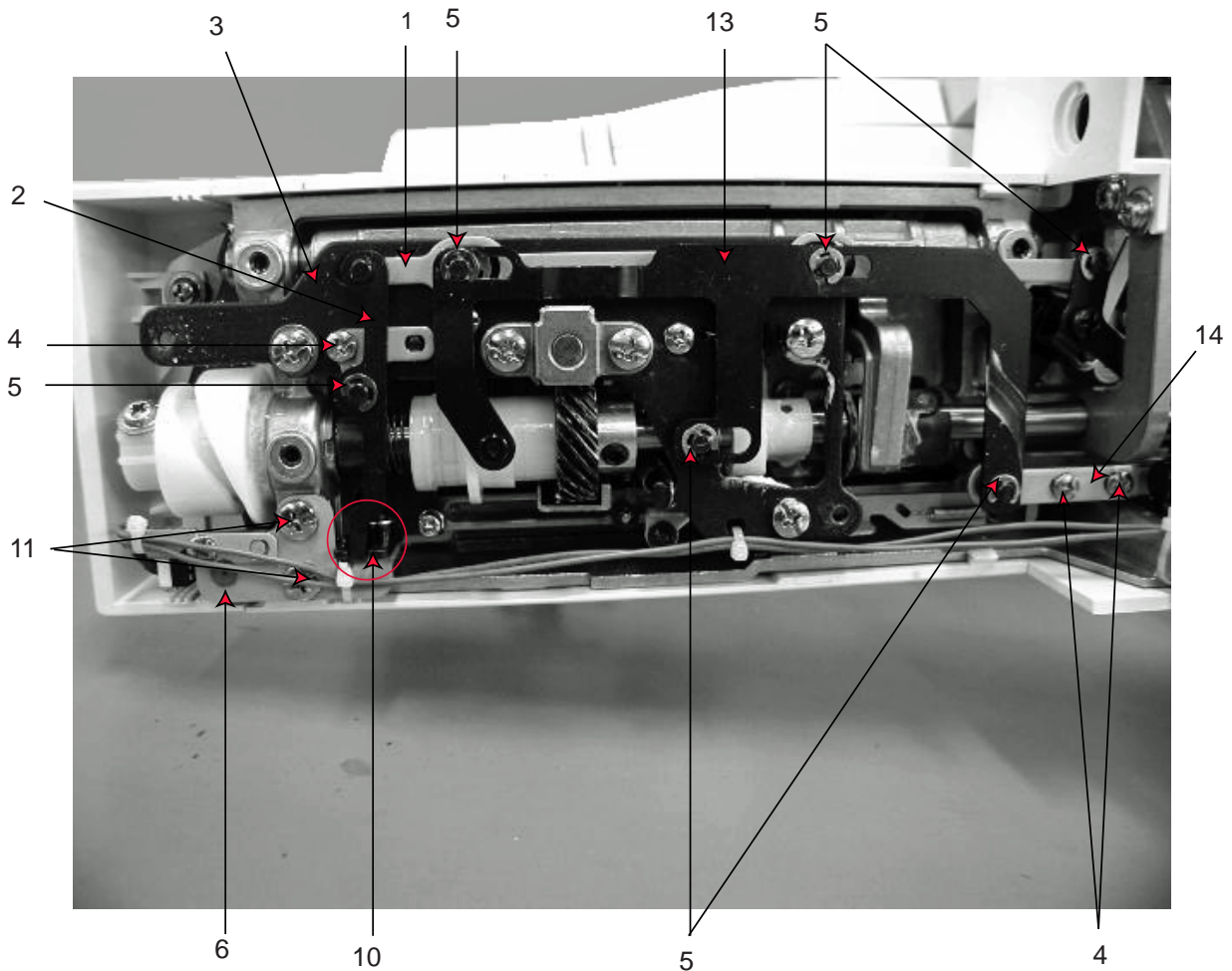
# PARTS LIST



## PARTS LIST

NO.	PART#	DESCRIPTION
1	860616016	Feed rock shaft (whole unit)
2	860651013	Feed rock shaft (unit)
3	860653026	Hook race (unit)
4	627190010	Magnet
5	860618007	Feed dog set base (unit)
6	825099007	Pin
7	000111407	Hexagonal socket screw 4x6
8	825103005	Feed base spring
9	000081005	Setscrew 4x8
10	000070506	Washer
11	738055008	Straight pin
12	000111304	Hexagonal socket screw 5x5
13	860619008	Solenoidset plate (unit)
14	860620002	Arm (unit)
15	000002105	Snap ring E3
16	846652102	Bobbin holder (unit)
17	102261103	Bobbin
18	625508008	Feed regulator (unit)
19	860603009	Feed shaft (unit)
20	820387000	Ring
21	000111201	Hexagonal socket screw 4x4
22	625144002	Feed shaft bushing (front)
23	650092002	Feed shaft bushing (rear)
24	650175000	Cushion
25	823110009	Felt
26	625134009	Block

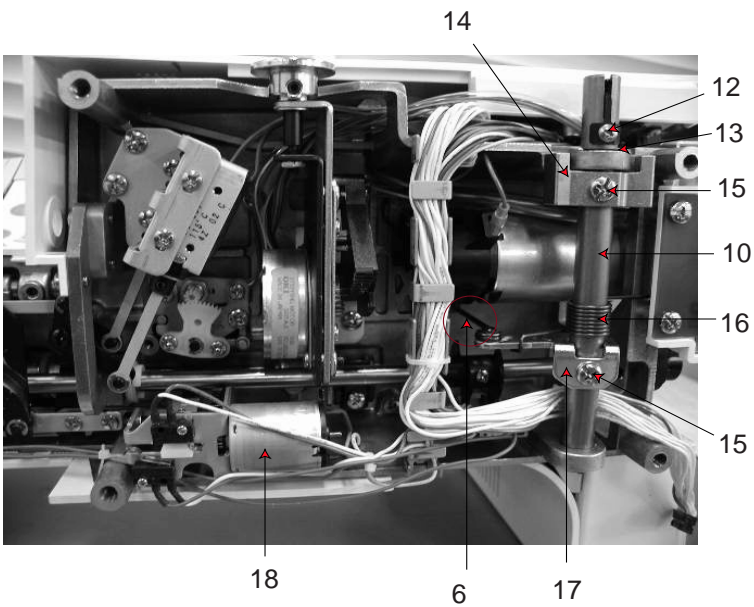
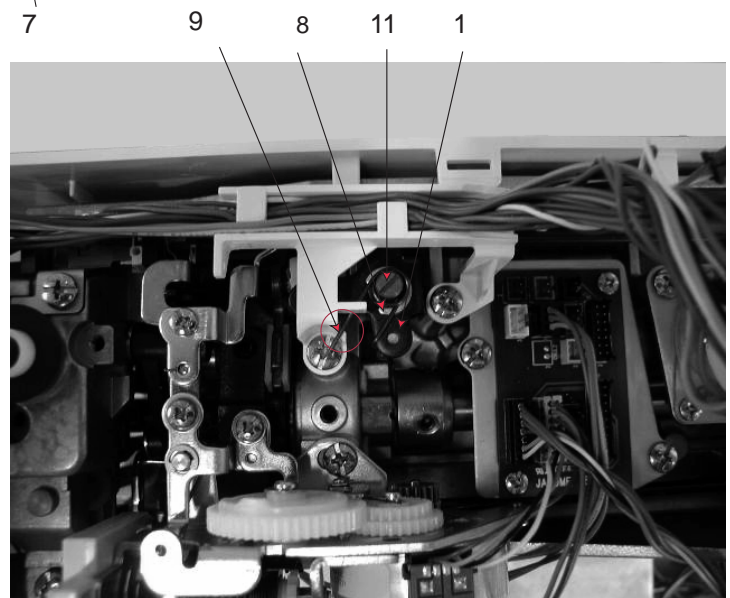
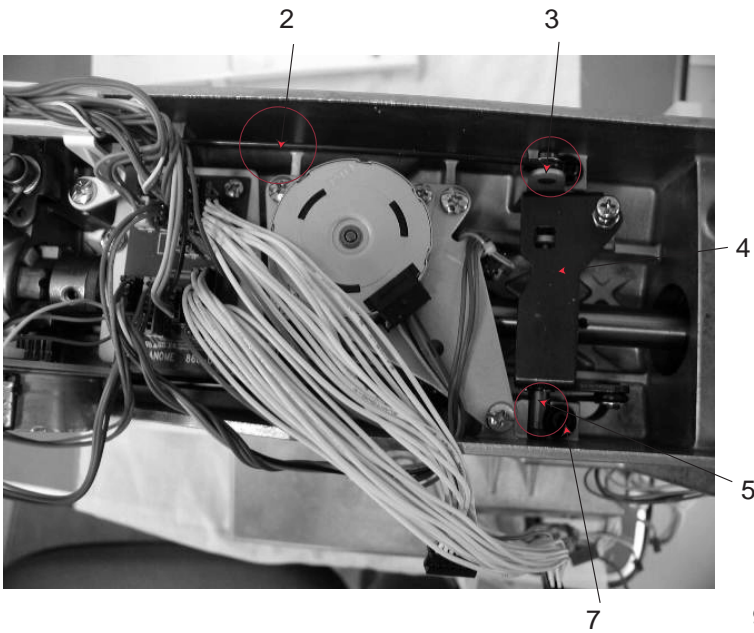
# PARTS LIST



## PARTS LIST

NO.	PART#	DESCRIPTION
1	860042004	Thread cutter starting rod
2	860043005	Thread cutter starting link
3	860044006	Starting link set plate
4	000101105	Setscrew 3x4
5	000002105	Snap ring E3
6	860045007	Feed arm shaft base
7	846233000	Feed arm (1)
8	846154006	Spring
9	000002507	Snap ring E4
10	860046008	Thread cutter starting lever
11	000081005	Setscrew 4x8
12	860624006	Thread cutter sensor (unit)
13	860201003	Drop feed lever plate
14	860209001	Drop link plate

# PARTS LIST

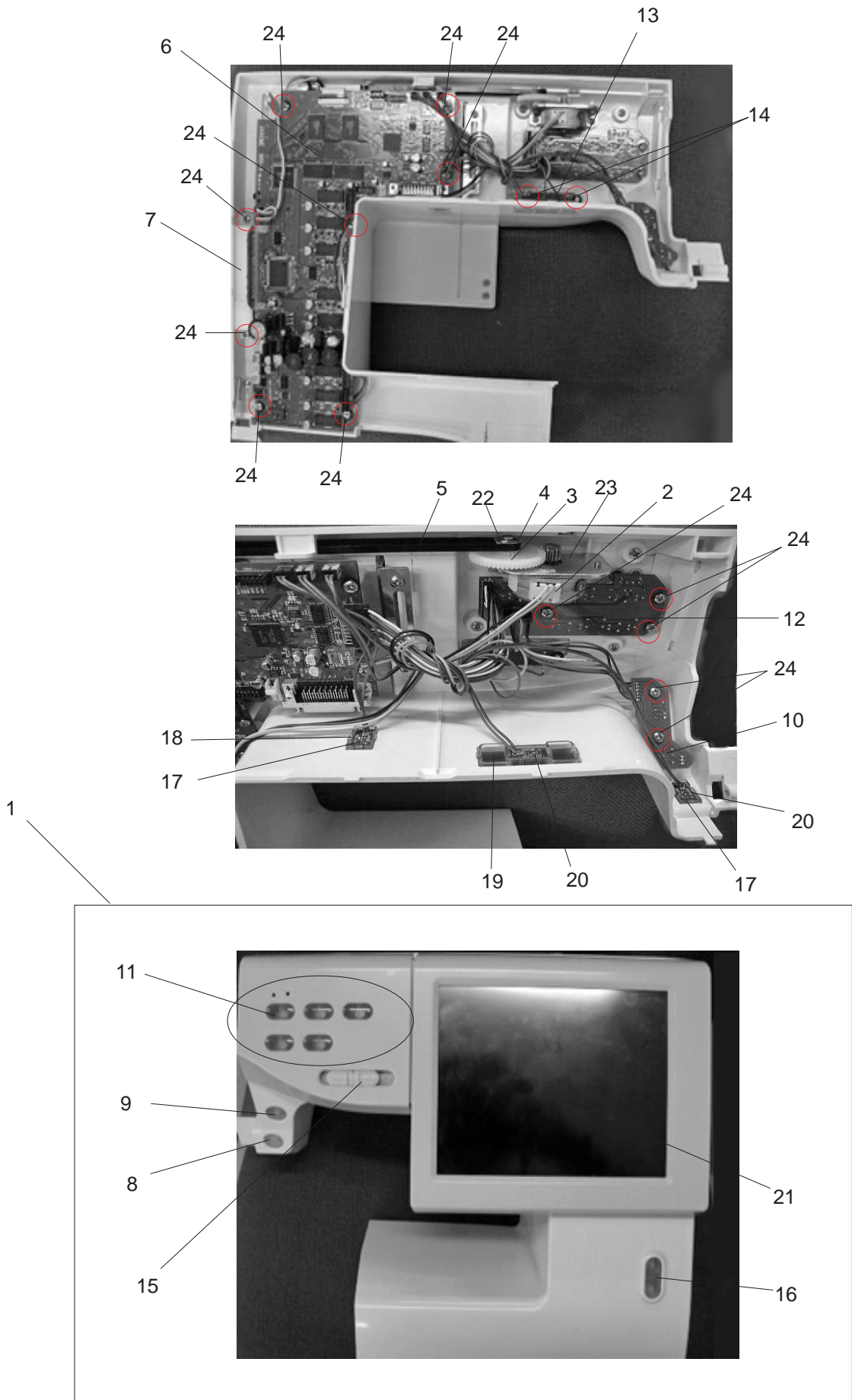




## PARTS LIST

NO.	PART#	DESCRIPTION
1	860051006	Knee lifter link (1)
2	860052007	Knee lifter rod (1)
3	860053008	Knee lifter link (2)
4	860054009	Knee lifter link (3)
5	860055000	Knee lifter link shaft
6	860056001	Knee lifter rod (2)
7	000115629	Setscrew TP 4x8
8	000001609	Snap ring E5
9	832212000	Knee lifter link spring
10	860057002	Knee lifter shaft
11	832211009	Setscrew
12	000097406	Setscrew 3x3
13	000030009	Snap ring E10
14	860059004	Knee lifter stopper
15	000253701	Hexagonal TP setscrew 5x10
16	860060008	Spring
17	860061009	Knee lifter shaft arm
18	860626008	Drop feed base plate (unit)

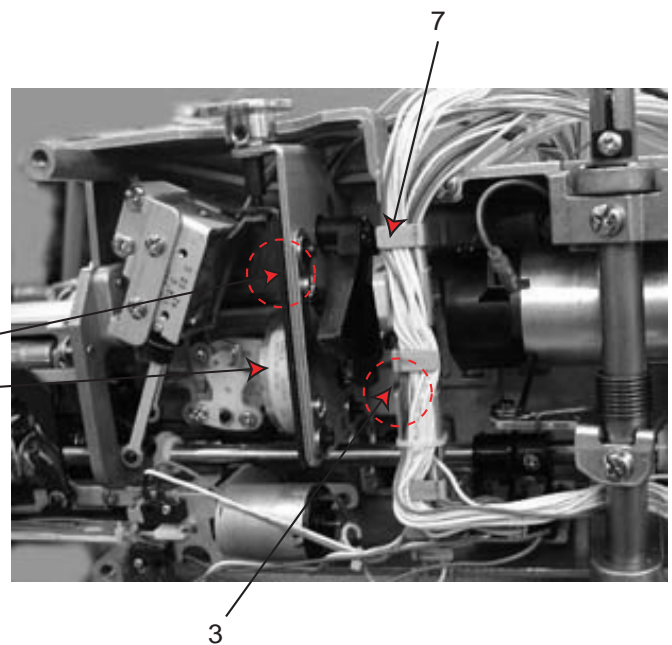
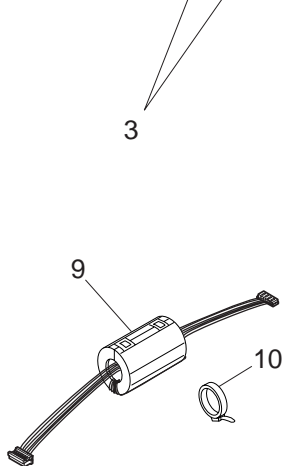
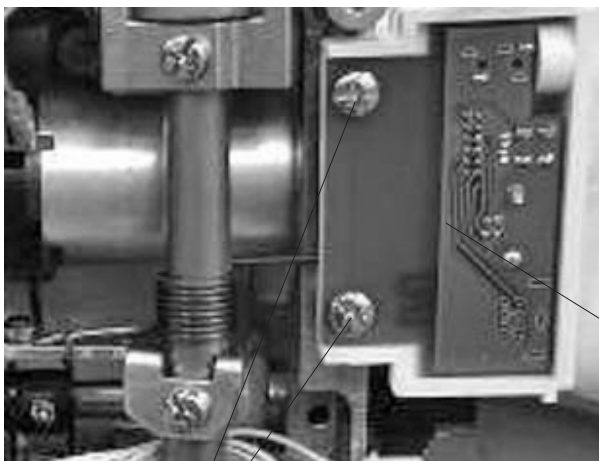
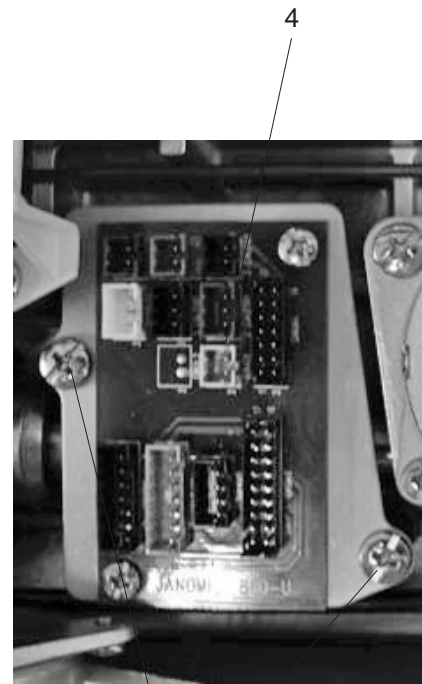
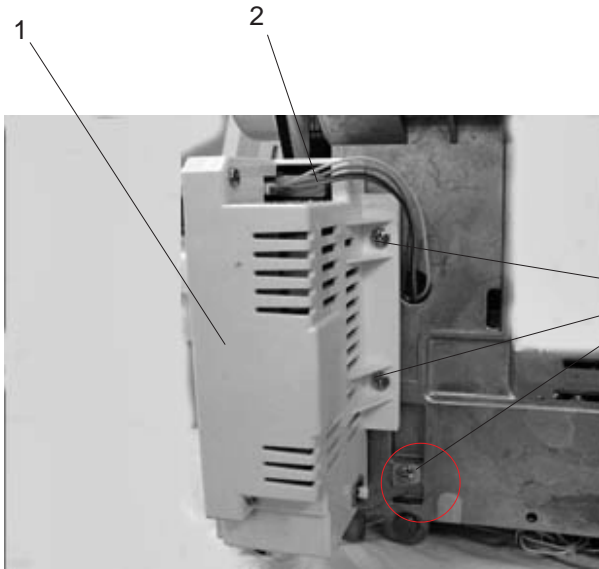
# PARTS LIST



## PARTS LIST

NO.	PART#	DESCRIPTION
1	860663203	Front cover (unit) (U.S.A, Canada)
	860663306	Front cover (unit) (Australia, UK, Continental Europe, New Zealand, Latin America)
2	860555005	Stepping motor (unit)
3	860076007	Gear
4	832136009	Washer
5	850116009	Syncrobelt 290
6	860686501	Printed circuit board A (unit) (English)
	860686512	Printed circuit board A (unit) (French)
	860686556	Printed circuit board A (unit) (Spanish)
	860686545	Printed circuit board A (unit) (Italian)
	860686534	Printed circuit board A (unit) (Dutch)
	860686523	Printed circuit board A (unit) (German)
	860686567	Printed circuit board A (unit) (Portuguese)
	860686578	Printed circuit board A (unit) (Swedish)
	860686589	Printed circuit board A (unit) (Russian)
	860686590	Printed circuit board A (unit) (Finnish)
7	860078009	Card guide
8	860079103	S.S Button
9	860080107	Button 1
10	860503008	Printed circuit board F1 (unit)
11	860081108	Button 2
12	860504009	Printed circuit board F2 (unit)
13	653507602	Slide volume (unit)
14	000014306	Snap ring CS3
15	860082109	Slide volume
16	860083100	Button 3
17	860167006	Lamp cover 2
18	860505000	Printed circuit board L1 (unit)
19	860166005	Lamp cover 1
20	860506104	Printed circuit board L2 (unit)
21	860634308	LCD (unit) (U.S.A, Canada)
	860634401	LCD (unit) (Australia, UK, Continental Europe, New Zealand, Latin America)
22	000002507	Snap ring E4
23	860077008	LCD motor set plate
24	000120203	Setscrew 3X8 0(B)

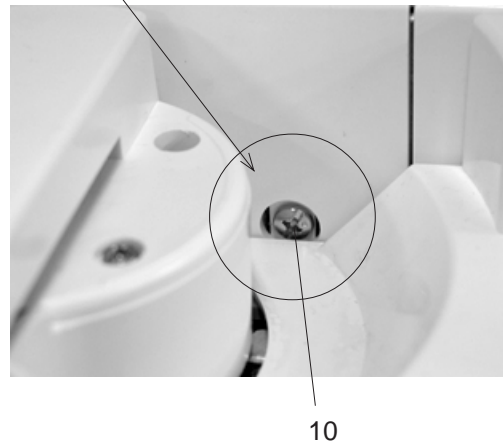
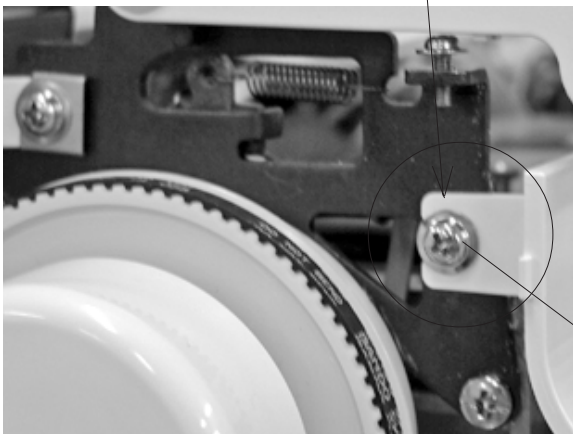
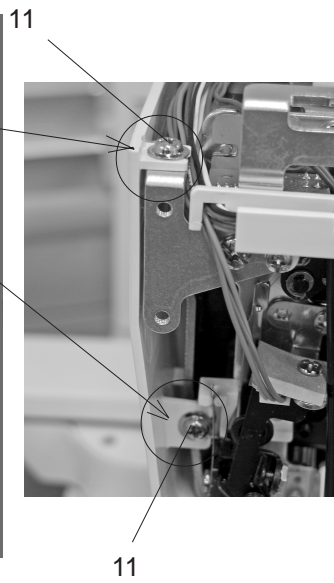
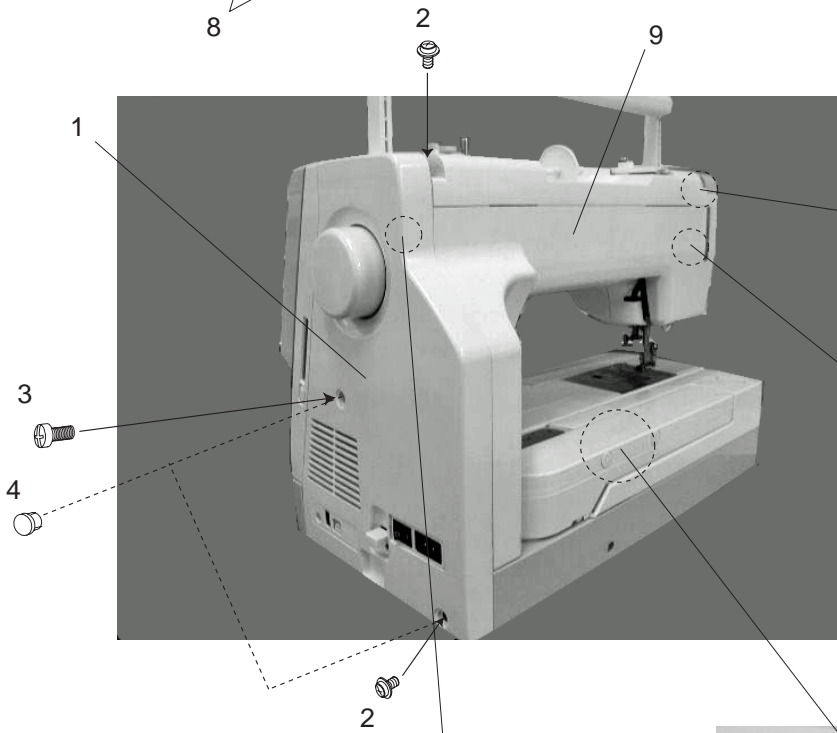
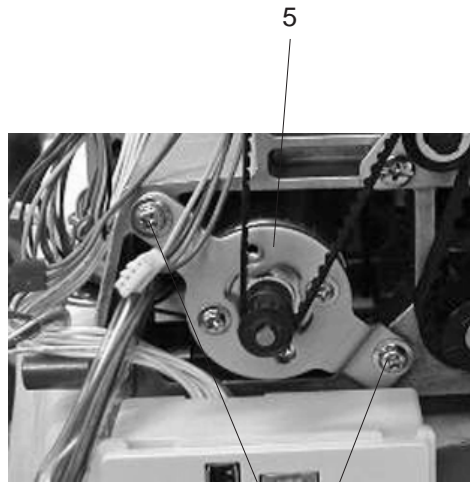
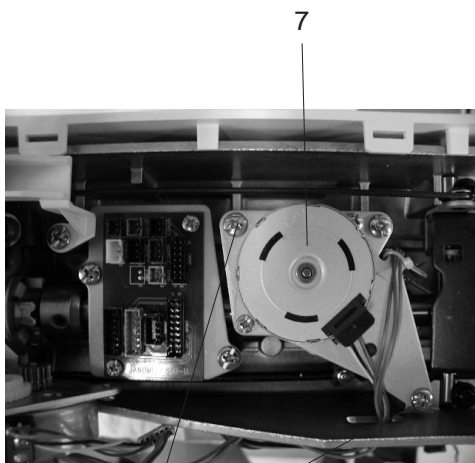
# PARTS LIST



## PARTS LIST

NO.	PART#	DESCRIPTION
1	860632007	Switching power supply (unit)
2	850523209	Power supply harness (unit) (U.S.A, Canada)
	860556006	Power supply harness (unit) (Australia, UK, Continental Europe, New Zealand, Latin America)
3	000081005	Setscrew 4x8
4	860631006	Printed circuit boardU (unit)
5	000081005	Setscrew 4x8
6	860658009	Printed circuit board B (unit) (U.S.A, Canada)
	860658102	Printed circuit board B (unit) (Australia, UK, Continental Europe, New Zealand, Latin America)
7	860216001	Cord guide (lower)
8	860604000	Feed motor (unit)
9	860660004	Harness (unit) (Australia, UK, Continental Europe, New Zeland, Latin america)
10	000053008	Cord binder (Australia, UK, Continental Europe, New Zeland, Latin america)

# PARTS LIST

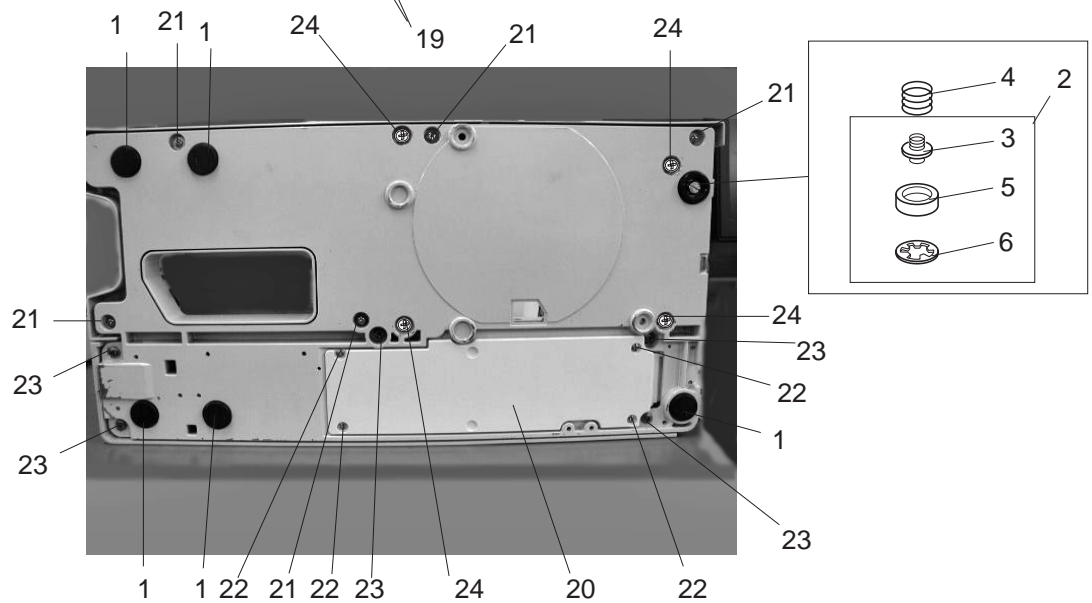
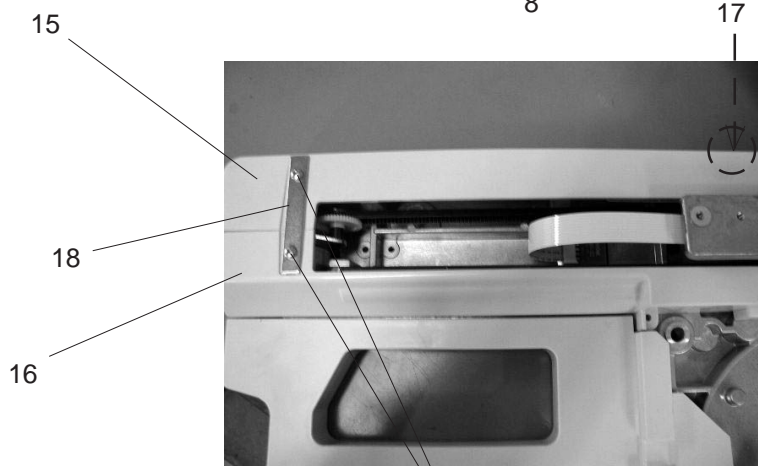
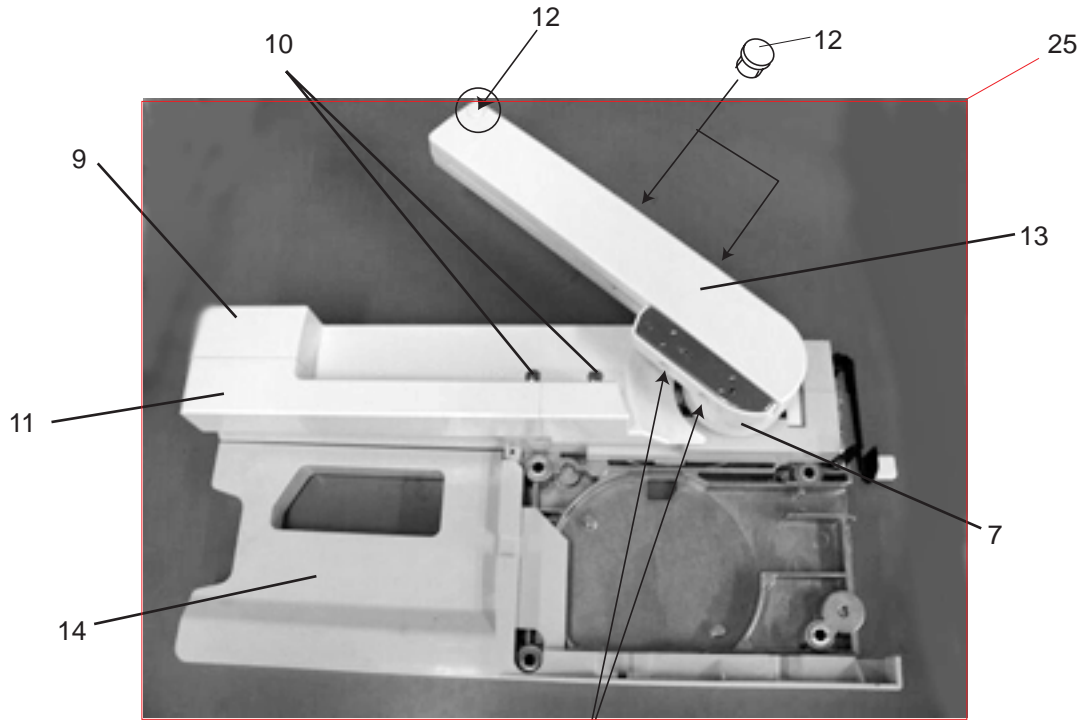


## PARTS LIST

NO.	PART#	DESCRIPTION
1	860092113	Belt cover
2	000115009	Setscrew TP 3x8
3	000104108	Setscrew 4x20
4	653006101	Cap
5	860630005	Motor (unit)
6	000115607	Setscrew TP 4x8
7	860605001	Zigzag width motor (unit)
8	000101404	Setscrew 4x6
9	860085102	Rear cover
10	810220106	Setscrew
11	000115205	Setscrew TP 4x6



# PARTS LIST





## PARTS LIST

NO.	PART#	DESCRIPTION
1	830150003	Rubber foot
2	717618000	Adjusting screw (unit)
3	820350004	Adjusting screw
4	820351005	Spring
5	605074008	Rubber foot
6	813123004	Snap ring CS
7	860139009	Carriage cover
8	000066727	Setscrew 3x8
9	860152008	X Carriage cover
10	000103417	Setscrew 4x8
11	860157003	X Carriage
12	653006101	Cap
13	860643001	Carriage (unit)
14	860099408	Base cover
15	860150202	Embroidery base cover 1
16	860151203	Embroidery base cover 2
17	000101426	Setscrew 4x6
18	860193001	Carriage base plate
19	000120203	Setscrew 3x8 (B)
20	860143006	Film cover
21	000149002	Setscrew 3x10
22	000078319	Setscrew 3x6
23	000198604	Setscrew 4x14
24	000127705	Setscrew 6x20
25	860640307	Base (unit)

# PARTS LIST

1

2



3



4



5



6



7



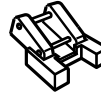
8



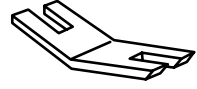
9



10



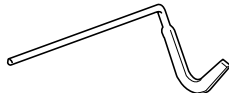
11



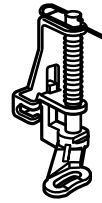
12



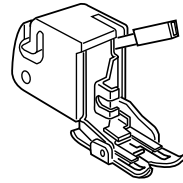
13



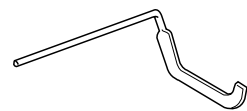
14



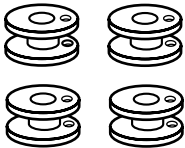
15



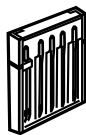
16



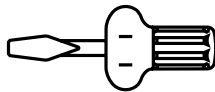
17



18



19



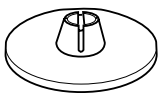
20



21



22



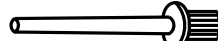
23



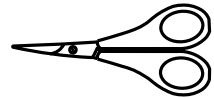
24



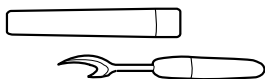
25



26



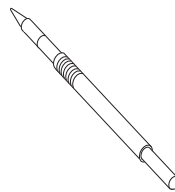
27



28



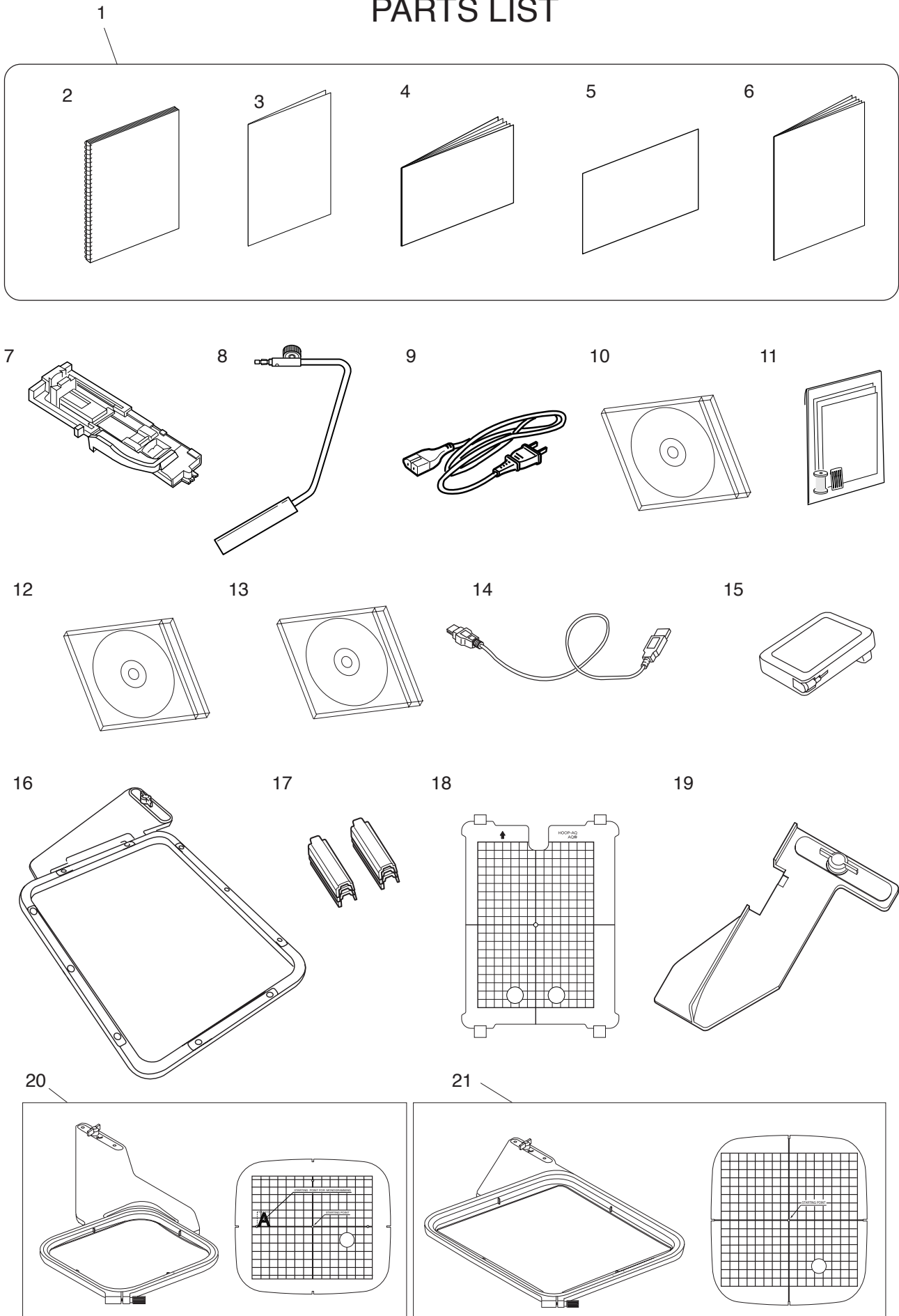
29



## PARTS LIST

NO.	PART#	DESCRIPTION
1	860871000	Standard accessories (unit) (U.S.A)
	860871103	Standard accessories (unit) (Australia, Canada, UK, Continental Europe, New Zealand, Latin America)
2	822801001	Overcast foot
3	820809014	Hemmer foot
4	829801002	Zipper foot
5	822804129	Satin stitch foot (U.S.A)
	822804118	Satin stitch foot (Australia, Canada, UK, Continental Europe, New Zealand, Latin America)
6	825817009	Blind hem foot
7	820819006	Cording foot
8	822808008	Overedge foot
9	830810053	Embroidery foot P
10	802406011	Button foot
11	832820007	Button shank plate
12	200008004	1/4" seam foot
13	802422002	Quilting bar
14	830856006	Darning foot
15	214507001	Walking foot (even foot)
16	214015007	Quilting bar
17	102261103	Bobbin
18	832832002	Needle case (unit)
19	820832005	Screwdriver (large)
20	653802002	Screwdriver
21	802424004	Lint brush
22	822020503	Spool holder (large)
23	822019509	Spool holder (small)
24	102403109	Felt
25	625031500	Additional spool pin
26	803813203	Scissors
27	560406104	Seam ripper (buttonhole opener)
28	829803004	Spool stand
29	860194002	Touchpanel stylus

# PARTS LIST



## PARTS LIST

NO.	PART#	DESCRIPTION
1	860839006	Instruction book (unit) (U.S.A)
	860839109	Instruction book (unit) (Australia, New Zealand)
	860839202	Instruction book (unit) (Canada)
	860839305	Instruction book (unit) (UK)
	860839501	Instruction book (unit) (Continental Europe)
	860839604	Instruction book (unit) (Latin America)
2	860840000	Instruction book (English)
	860840103	Instruction book (French)
	860840402	Instruction book (Spanish)
3	860807005	Optional accessories catalog
4	860841001	Template sheet
5	860842002	Quick guide
	860842404	Quick guide (Spanish)
6	860847007	MC 11K TOOLS instruction book
7	753801118	BH foot
8	860690003	Knee lifter
9	860539003	Power supply cord (U.S.A, Canada)
	830314018	Power supply cord (Australia, New Zealand)
	830377008	Power supply cord (UK)
	830335004	Power supply cord (Continental Europe, Latin America)
10	860843003	Instructional DVD (unit)
11	860810001	Starter kit (unit)
12	860844004	CD-ROM for PC (unit)
13	860845005	Handbook CD (unit)
14	850403006	USB cable
15	043271133	Foot controller
16	860433006	Hoop AQ (unit)
17	860434007	Clip (unit)
18	860435101	Template (AQ)
19	860436009	Cloth guide (unit)
20	860802000	Hoop ST (unit)
21	860801009	Hoop SQ (unit)